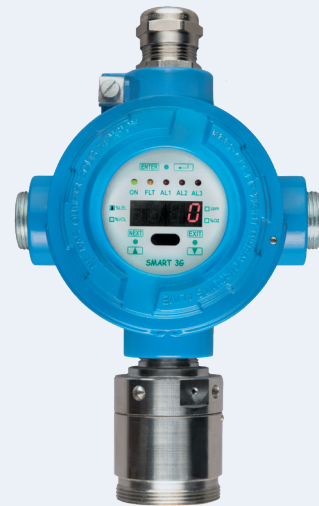


ETHYLENE OXIDE-SMART-DETECTOR S21570E FOR EX-ZONE 1

Designed to meet with tough industrial requirements, the Smart-Detector allow monitoring toxic and flammable contents in harsh environments and classified areas.

They offer a 4-digit back-light display and 5 mode status LED for the gas concentration reading. Ideal in harsh environments, the Smart-Detector feature non intrusive calibration for an accurate and easy adjustment via Hall-effect switches, without opening the instrument and declassifying the area.

The detectors is IP65 protected and SIL2 Hardware tested (not certified) and provides a simple concept to replace sensors. As an option the gas detectors is also available without a display.



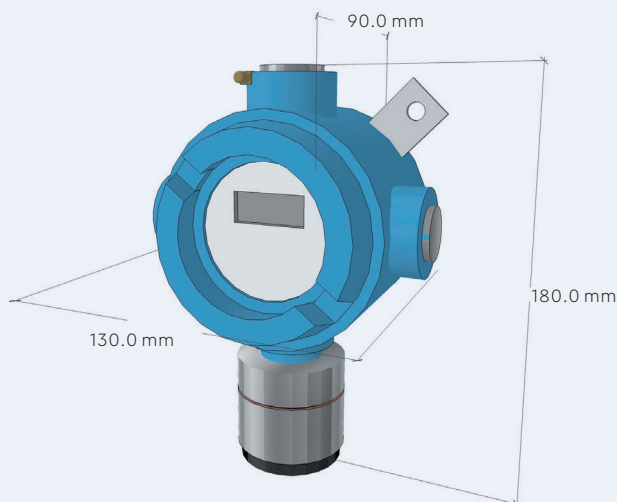
SPECIFICATIONS ELECTRONICS

SUPPLY: 24 VDC | **POWER CONSUMPTION:** max. 130 mA | **WIRING ANALOGUE/DIGITAL:** 3x0,75 mm² up to 100 m, shielded, 2x2x0,75 mm², shielded | **SIGNAL-OUTPUT ANALOGUE/DIGITAL:** 4...20 mA, Modbus RTU | **OPTIONAL RELAY OUTPUTS:** 1 or 3 | **WEIGHT:** 950...1700 gr | **ATEX CERTIFIED FOR:** Group II 2G (ATEX II2G Ex d IIC T6), 2GD, 3G & GD and for Group I M2 (with larger enclosure)

SPECIFICATIONS SENSOR

MEASURING PRINCIPLE: Pellistor | **MEASURING RANGE:** 0...100 % LEL ETO
ACCURACY: +/- 2 % of measuring range | **RESPONSE TIME:** t 90: < 30 sec | **OPERATION TEMPERATURE:** -40 °C ...+60 °C | **HUMIDITY:** 20...90 % (non condensing) | **APPROX. LIFETIME AT 20°C:** > 6 years depending on application | **CALIBRATION:** It is necessary to inspect the gas detector every 3 month and to recalibrate it only if needed.

DIMENSIONS AND CONNECTIONS



24VDC Bus1	○	○	○	○	○	○
BUS A	2	3	4	5	6	
BUS B						
0VDC						
+ Analog						
S Analog						
Ex-Gas Detector						